



www.alltraxinc.com

XCT SPECIFICATIONS



Model	Peak (Amps)	2 Min (Amps)	5 Min (Amps)	Continuous (Amps)
XCT48300	300/350 ¹	300	300	125
XCT48400	400/460 ¹	400	400	175
XCT48500	500/570 ¹	500	500	250

All ratings are at 25°C, with nominal rated voltage at 50% PWM. Actual currents ratings are ±5% listed amperages.

Note¹ : The larger number represents the value when the “Peak Amp Mode” is enabled in the Alltrax Toolkit program.

Type: Shunt Motor Controller

Operating Frequency: 18kHz

Controller Voltage, KSI & Reverse: XCT48xxx: 24-48V nom, 62V max

Operating Temperature: -20°C to 85°, shutdown @ 95°C

Environmental Operating Temperature: -20°C to 50°

Standby Current (Power up): <1W nom, <8W Fan on

KSI & Rev Pin Input Current: <20mA

Relay Drive Current: 5A peak, 1A Cont.

Throttles Supported: 0-5k, 5k-0, E-Z-GO ITS, Club Cart 5k-0 3 Wire (MCOR), 0-5v, Taylor Dunn 6v-10.5v, USB Throttle, Yamaha 0-1k, Absolute Mode

Terminal Torque: Torque bolts to 60-80 in.lb (5-7ft.lb, 6.77-9.4nm)





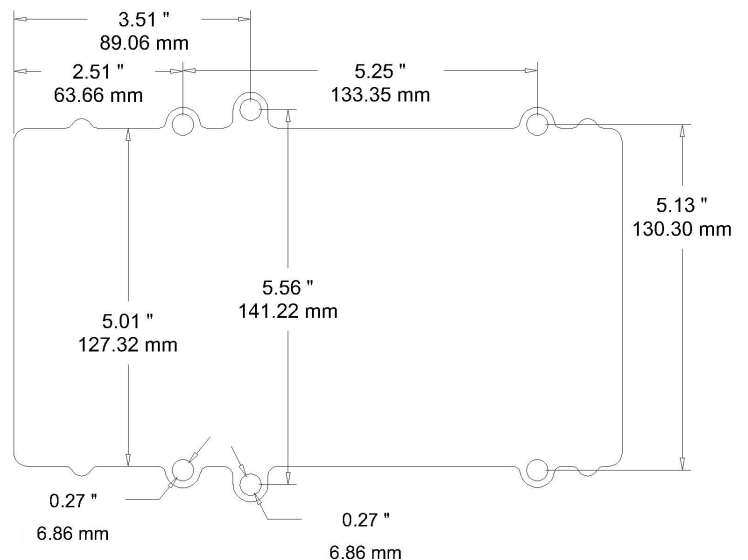
www.alltraxinc.com

FEATURES

- USB Programming Port to make programming the Alltrax controller easier than ever.
- Will work between 24v and 48v with a simple programming change.
- Easily adapts to new motors by a Motor Map that can be uploaded to the controller via the Toolkit Program.
- Seamless transition between motoring, plug braking and regen braking gives the smoothest drive ever.
- Battery Current Limit setting for extra protecting when using Lithium Batteries.
- On-board CAN connector for effortless communication to future Alltrax Accessories and 3rd party devices.
- Advanced heatsink thermal design and protection provides for higher instantaneous and continuous power and over temperature protect with no loss of power.
- Optional - Universal Mounting bracket to simplify the installation process of the XCT to OEM hole patterns.
- Optional - Fan Cover. Increase the continuous rating of the controller up to 30% with additional airflow across the heatsink.



DIMENSIONS



Shunt wound controllers to fit the following carts:

- **E-Z-GO:** DCS, PDS, TXT-48
- **Club Car:** PD+, IQ, i2, Excel, Precedent
- **Yamaha:** G19, G22, YDRE

Additional vehicles to be added.

OEM? Contact Alltrax for more information and options.

See XCT Manual or our website for full sized drawing.